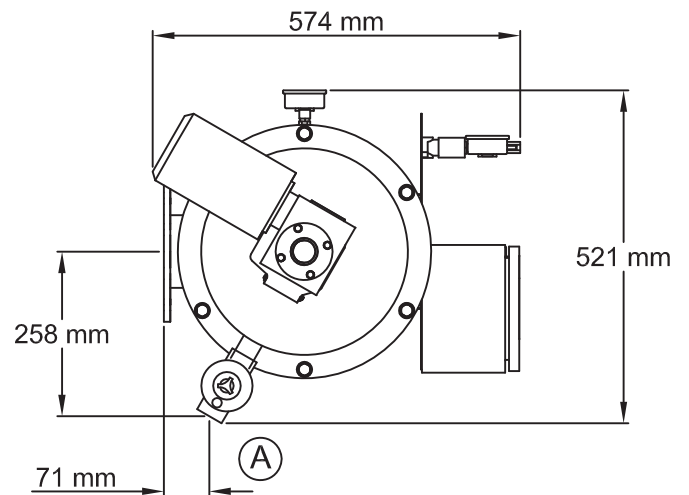


- (A) Colector drenaje 1"  
1" Drainage manifold
- (B) Colector entrada 4"  
4" Inlet manifold
- (C) Colector salida 4"  
4" Outlet manifold



### AZUD LUXON LDB 1800 S/4

|                           |                                  |                       |             |
|---------------------------|----------------------------------|-----------------------|-------------|
| SCALE<br>S/E<br>A4 FORMAT | MATERIAL:                        | RESPONS.: M. Martínez | <b>AZUD</b> |
|                           | UNITS: mm.                       | REVISION: 00          |             |
|                           | FILE: Azud_luxon_LDB_1800-S4.dwg | 12/04/2012            |             |